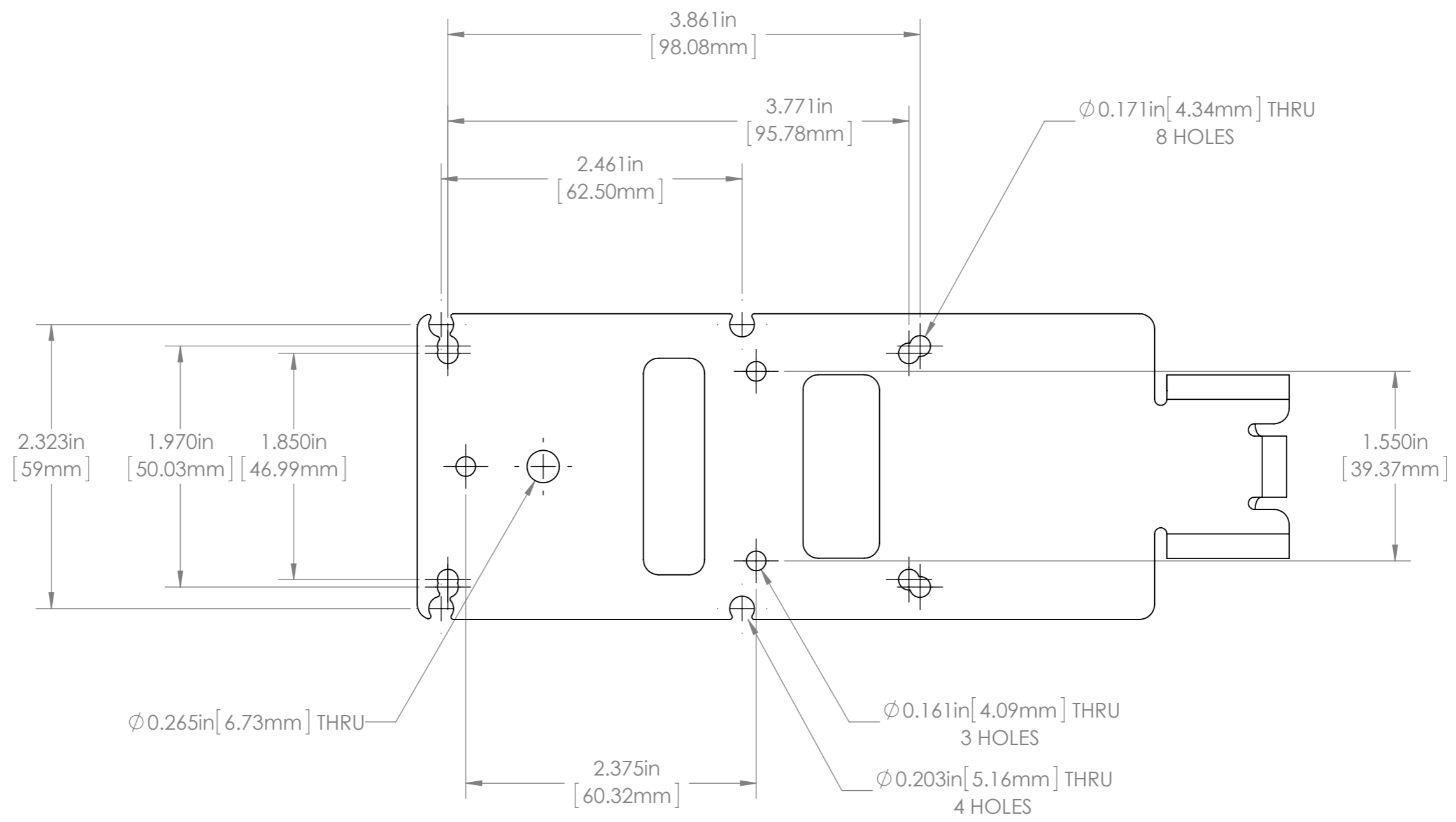


				UNLESS OTHERWISE SPECIFIED: DIMENSIONS ARE IN INCHES SURFACE FINISH: TOLERANCES: .000= +/- 0.005" .00= +/- 0.010"		FINISH: <b>BURNISHED</b> DEBUR AND BREAK SHARP EDGES		Allison Park Group, Inc. (APG) 4055 Alpha Drive Allison Park, PA 15101 USA		DO NOT SCALE DRAWING		REVISION	
				LINEAR:				Phone +1 (412) 487-8211 Fax +1 (412) 486-3157		This document is the property of APG and is considered company confidential. The information in this document is the property of APG and may not be used, reproduced, or distributed in whole or in part without the prior written permission of APG			
				DRAWN		NAME		SIGNATURE		DATE		TITLE:	
				SCHUBERT						5/2/2012		PTU-AC (PPT A10 arm)	
				CHK'D									
				APPVD									
				MFG									
				Q.A									
				NOTES:						MATERIAL:		DWG NO.	
										304 STAINLESS STEEL		PTU-AC ASSY	
										WEIGHT:		SCALE: 1:2	
												SHEET 1 OF 2	
NO.		CHANGE		DATE		INIT.						A3	



				UNLESS OTHERWISE SPECIFIED: DIMENSIONS ARE IN INCHES SURFACE FINISH: TOLERANCES: .000= +/- 0.005" .00= +/- 0.010"		FINISH: <b>BURNISHED</b>		Allison Park Group, Inc. (APG) 4055 Alpha Drive Allison Park, PA 15101 USA		DO NOT SCALE DRAWING		REVISION	
				LINEAR:		DEBUR AND BREAK SHARP EDGES		Phone +1 (412) 487-8211 Fax +1 (412) 486-3157		This document is the property of APG and is considered company confidential. The information in this document is the property of APG and may not be used, reproduced, or distributed in whole or in part without the prior written permission of APG			
				DRAWN		SIGNATURE		www.apgvision.com		TITLE: <b>PTU-AC (PPT A10 arm)</b>			
				SCHUBERT		DATE		MATERIAL: 304 STAINLESS STEEL		DWG NO. <b>PTU-AC ASSY</b>			
				CHK'D				WEIGHT:		SCALE: 1:2			
				APPVD				SHEET 2 OF 2		A3			
				MFG									
				Q.A									
				NOTES:									
				NO.		CHANGE							
				DATE		INIT.							